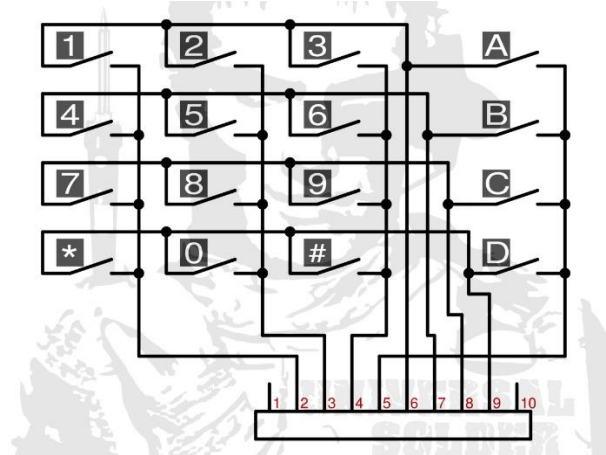


CANADUINO 4x4 matrix keypad



A keypad in 4 x 4 matrix configuration and conveniently small size of 65 x 68mm.

The keypad is based on conductive rubber keys over a PCB layer. This design allows for a maximum current of about 10mA per contact. The resistance of the pressed key is lower than 1k Ohm.

To guarantee safe operation and long-lasting contacts, the operating voltage should not exceed 35VDC.

There are several libraries for matrix keypads available (for Arduino, for example).